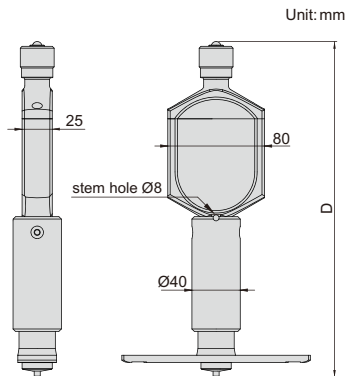


## LARGE RANGE BORE GAGES

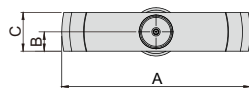


dial indicator is  
not included



2437-80

- Optional accessory:
  - 0.01mm or 0.001mm graduation dial indicators
  - Gage block accessory (code **6881**)
  - Cylinder gage blocks and accessory (code **4001**)



(mm)

Code	Range (D)	Accuracy (without dial indicator)	Repeatability (without dial indicator)	A	B	C
2437-410	280-410mm	5µm	1µm	156	16	32
2437-510	280-510mm	5µm	1µm	156	16	32
2437-800	400-800mm	5µm	1µm	300	17.5	35