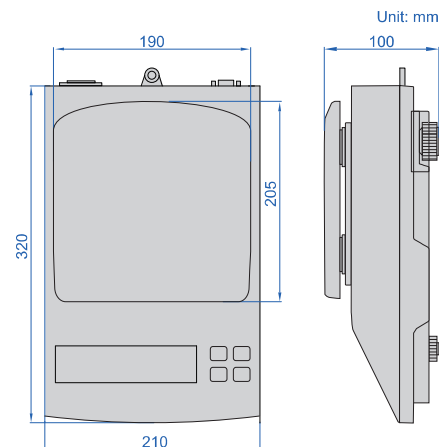


**DATA  
OUTPUT**

- Zero-setting, weighing, subtracting tare value, simple counting
- LCD display, with backlight
- Data output
- Unit: g, ct, ozt, oz, GN, dwt, lb, kg
- With a hook at the bottom


**8305-2000**
**ELECTRONIC BALANCES (STANDARD TYPE)**


printer (optional)


 calibration weight  
(included in 8305-2000  
and 8305-3000)

**SPECIFICATION**

Code	8305-200	8305-500	8305-1000	8305-2000	8305-3000	8305-5000	8305-6000
Weighing capacity	200g	500g	1000g	2000g	3000g	5000g	6000g
Minimal load	0.2g	0.2g	0.2g	0.5g	0.5g	0.5g	0.5g
Readability (d)	0.01g	0.01g	0.01g	0.01g	0.01g	0.01g	0.01g
Repeatability	±0.01g	±0.01g	±0.01g	±0.02g	±0.02g	±0.03g	±0.03g
Linearity	±0.01g	±0.01g	±0.02g	±0.03g	±0.04g	±0.05g	±0.05g
Stabilization time	2s			3s		4s	
Dimension of pan	Ø135mm			205×190mm			
Output	RS232						
Operation temperature	0~40°C						
Operation humidity	≤80%RH						
Power supply	AC 100~240V, 50/60Hz						
Dimension (L×W×H)	320×210×100mm						

**OPTIONAL ACCESSORY**

RS232 cable	8301-CABLE*
Data output cable (keyboard format)	7302-8301
Wireless transmitter	7315-8301**
Printer	8391-PRN10

\* Used to connect with computers

\*\* Receivers are needed: code 7315-2/3/6/7/8/9