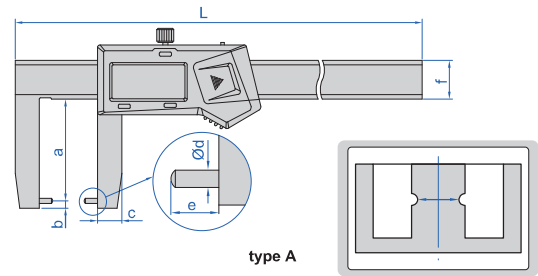
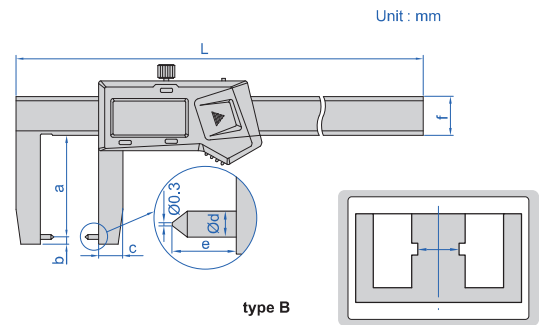


DIGITAL OUTSIDE POINT CALIPERS


1185-150A

1185-150B


- Non waterproof
- Measure wall thickness inside bores and recesses
- Resolution: 0.01mm/0.0005"
- Buttons: on/off, zero, mm/inch
- Automatic power off, move the digital unit to turn on power
- Battery CR2032
- Made of stainless steel
- Optional accessory: depth stop (code 6143)

depth stop 6143
(optional)


With data interface

(mm)

| Code | Range | Accuracy | Type | L | a | b | c | Ød | e | f | Wireless transmitter (optional) |
|-----------|---------------|----------|------|-----|-----|---|----|----|----|----|---------------------------------|
| 1185-150A | 0-150mm/0-6" | ±0.04mm | A | 250 | 40 | 3 | 10 | 2 | 5 | 16 | 7315-25 (receiver is needed) |
| 1185-200A | 0-200mm/0-8" | ±0.05mm | A | 310 | 80 | 3 | 14 | 3 | 9 | 16 | |
| 1185-300A | 0-300mm/0-12" | ±0.06mm | A | 490 | 150 | 3 | 20 | 3 | 12 | 24 | |
| 1185-150B | 0-150mm/0-6" | ±0.04mm | B | 250 | 40 | 3 | 10 | 2 | 5 | 16 | 7315-25 (receiver is needed) |
| 1185-200B | 0-200mm/0-8" | ±0.05mm | B | 310 | 80 | 3 | 14 | 3 | 9 | 16 | |
| 1185-300B | 0-300mm/0-12" | ±0.06mm | B | 490 | 150 | 3 | 20 | 3 | 12 | 24 | |

Built-in wireless (receiver code 7315-2/3/6/7/8/9 is needed)

(mm)

| Code | Range | Accuracy | Type | L | a | b | c | Ød | e | f |
|-------------|---------------|----------|------|-----|-----|---|----|----|----|----|
| 1185-150AWL | 0-150mm/0-6" | ±0.04mm | A | 250 | 40 | 3 | 10 | 2 | 5 | 16 |
| 1185-200AWL | 0-200mm/0-8" | ±0.05mm | A | 310 | 80 | 3 | 14 | 3 | 9 | 16 |
| 1185-300AWL | 0-300mm/0-12" | ±0.06mm | A | 490 | 150 | 3 | 20 | 3 | 12 | 24 |
| 1185-150BWL | 0-150mm/0-6" | ±0.04mm | B | 250 | 40 | 3 | 10 | 2 | 5 | 16 |
| 1185-200BWL | 0-200mm/0-8" | ±0.05mm | B | 310 | 80 | 3 | 14 | 3 | 9 | 16 |
| 1185-300BWL | 0-300mm/0-12" | ±0.06mm | B | 490 | 150 | 3 | 20 | 3 | 12 | 24 |